



	DETAIL NUMBER	DETAIL DESCRIPTION
FIELD TILE DETAILS	VISIO - 100	SECTION AT EAVE WITH UNDER EAVE
	VISIO - 101	SECTION AT SIDE WALL
	VISIO - 102	SECTION AT HEAD WALL
	VISIO - 103	SECTION AT RAKE EDGE WITH DETACHED RAKE
HIP DETAILS	VISIO - 200	SECTION AT V-HIP
RIDGE DETAILS	VISIO - 300	SECTION AT V-RIDGE
VALLEY DETAILS	VISIO - 400	SECTION AT FIELD CUT VALLEY

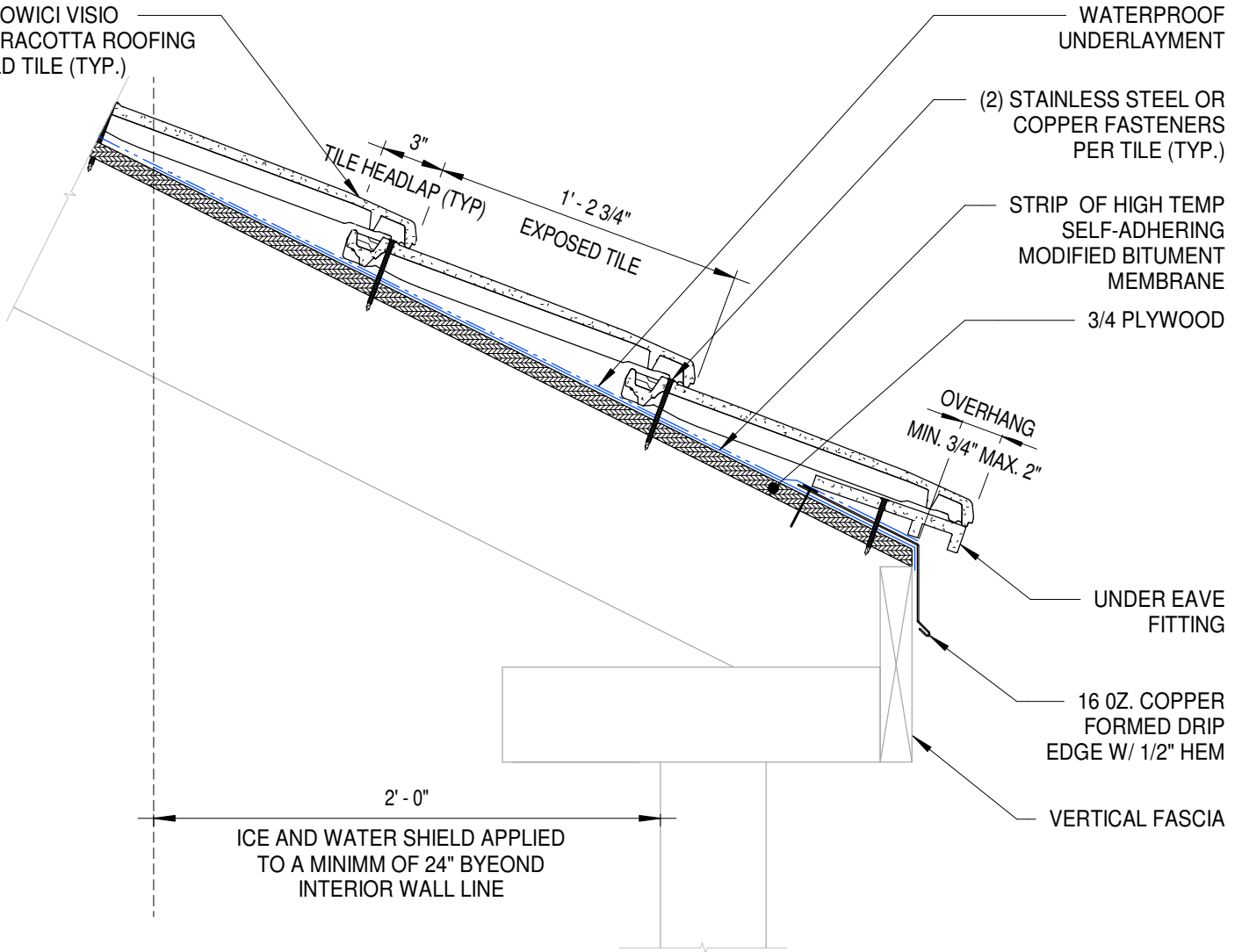

Trusted. Timeless. Terra Cotta.

4757 Tile Plant Road
New Lexington, Ohio 43764
Telephone: (800) 945-8453 Fax: (740) 342-0025
www.ludowici.com

SYSTEM:	VISIO TILE
DETAIL #:	VISIO - COVER SHEET
Description:	COVER SHEET
Drawing Date:	2024.06.28
Scale:	1 1/2" = 1'-0"
Ludowici Reference #:	VISIO TILE VISIO - COVER SHEET .

The information contained on this drawing is the property of Ludowici Roof Tile. Any use or reproduction in whole or in part without the express written permission of Ludowici Roof Tile is strictly prohibited. Ludowici Roof Tile, Inc. reserves the right to modify the configuration of item(s) shown without prior written notice.

LUDOWICI VISIO
TERRACOTTA ROOFING
FIELD TILE (TYP.)



GENERAL NOTES:

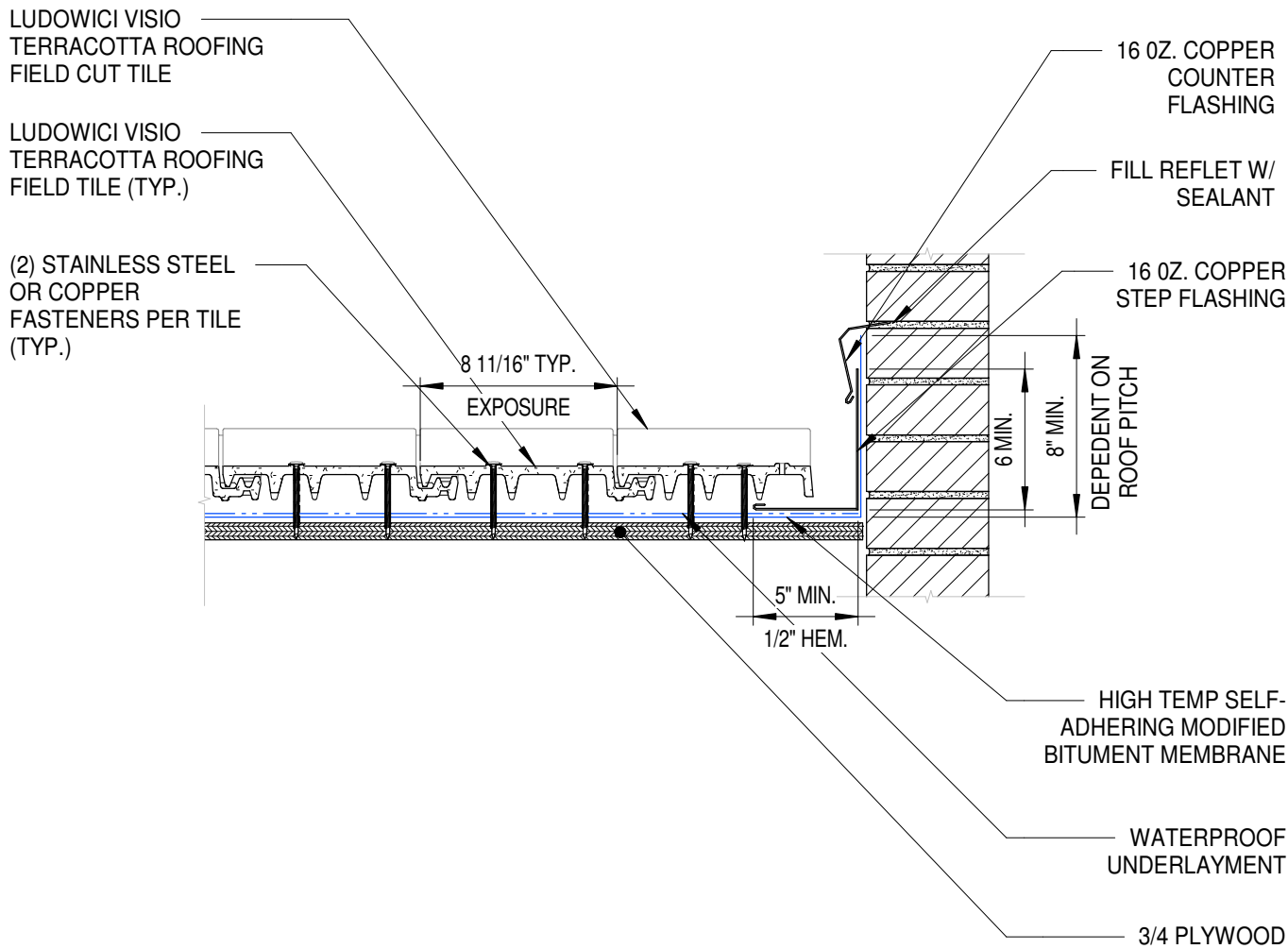
1. THIS IS A PROTOTYPICAL DETAIL FOR REVIEW. MODIFICATIONS MAYBE REQUIRED TO MEET PROJECT SPECIFIC REQUIREMENTS.
2. MINIMUM 3" HEADLAP REQUIRED.
3. VISIO TILES ARE A PRODUCT OF AND MANUFACTURED BY CREATON.


Trusted. Timeless. Terra Cotta.

4757 Tile Plant Road
 New Lexington, Ohio 43764
 Telephone: (800) 945-8453 Fax: (740) 342-0025
 www.ludowici.com

SYSTEM:	VISIO TILE
DETAIL #:	VISIO-100
Description:	SECTION AT EAVE WITH UNDER EAVE
Drawing Date:	2024.06.28
Scale:	1 1/2" = 1'-0"
Ludowici Reference #:	VISIO TILE VISIO-100 .

The information contained on this drawing is the property of Ludowici Roof Tile. Any use or reproduction in whole or in part without the express written permission of Ludowici Roof Tile is strictly prohibited. Ludowici Roof Tile, Inc. reserves the right to modify the configuration of item(s) shown without prior written notice.



GENERAL NOTES:

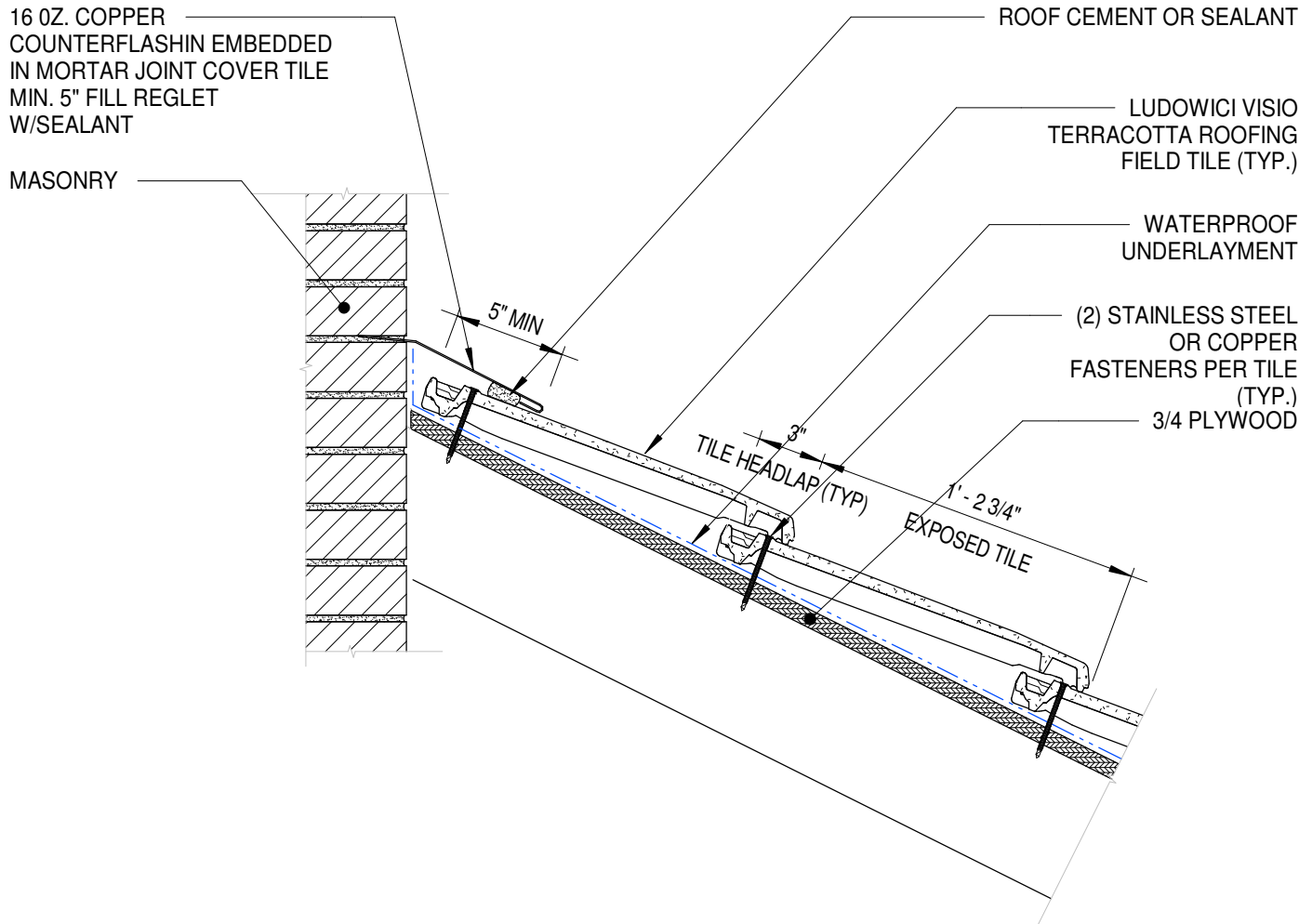
1. THIS IS A PROTOTYPICAL DETAIL FOR REVIEW. MODIFICATIONS MAYBE REQUIRED TO MEET PROJECT SPECIFIC REQUIREMENTS.
2. TYPICAL HORIZONTAL EXPOSURE 10-1/8"
3. LENGTH OF STEP FLASHING TO BE 17"
4. VISIO TILES ARE A PRODUCT OF AND MANUFACTURED BY CREATON.



4757 Tile Plant Road
 New Lexington, Ohio 43764
 Telephone: (800) 945-8453 Fax: (740) 342-0025
 www.ludowici.com

SYSTEM:	VISIO TILE
DETAIL #:	VISIO-101
Description:	SECTION AT SIDE WALL
Drawing Date:	2024.06.28
Scale:	1 1/2" = 1'-0"
Ludowici Reference #:	VISIO TILE VISIO-101 .

The information contained on this drawing is the property of Ludowici Roof Tile. Any use or reproduction in whole or in part without the express written permission of Ludowici Roof Tile is strictly prohibited. Ludowici Roof Tile, Inc. reserves the right to modify the configuration of item(s) shown without prior written notice.



GENERAL NOTES:

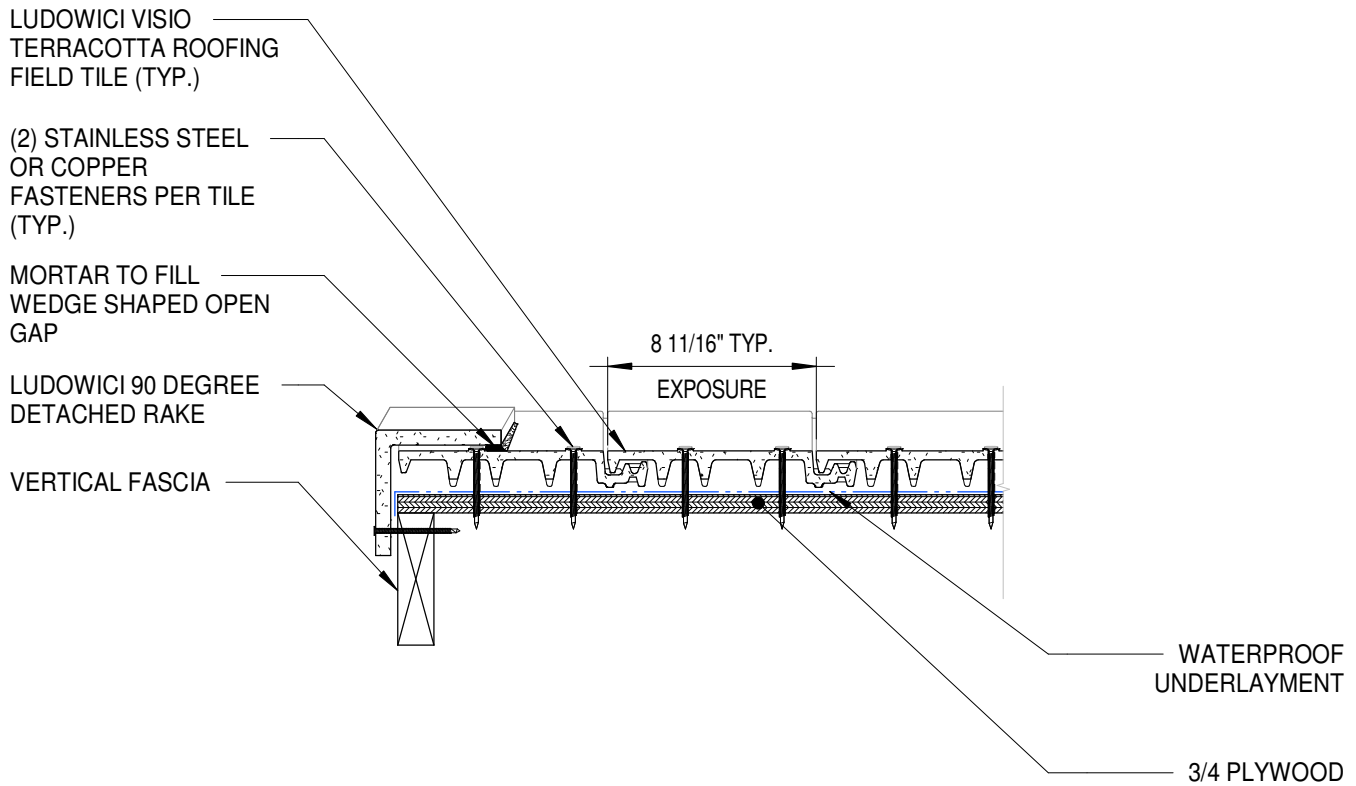
1. THIS IS A PROTOTYPICAL DETAIL FOR REVIEW. MODIFICATIONS MAYBE REQUIRED TO MEET PROJECT SPECIFIC REQUIREMENTS.
2. VISIO TILES ARE A PRODUCT OF AND MANUFACTURED BY CREATON.



4757 Tile Plant Road
 New Lexington, Ohio 43764
 Telephone: (800) 945-8453 Fax: (740) 342-0025
 www.ludowici.com

SYSTEM:	VISIO TILE
DETAIL #:	VISIO-102
Description:	SECTION AT HEAD WALL
Drawing Date:	2024.06.28
Scale:	1 1/2" = 1'-0"
Ludowici Reference #:	VISIO TILE VISIO-102 .

The information contained on this drawing is the property of Ludowici Roof Tile. Any use or reproduction in whole or in part without the express written permission of Ludowici Roof Tile is strictly prohibited. Ludowici Roof Tile, Inc. reserves the right to modify the configuration of item(s) shown without prior written notice.



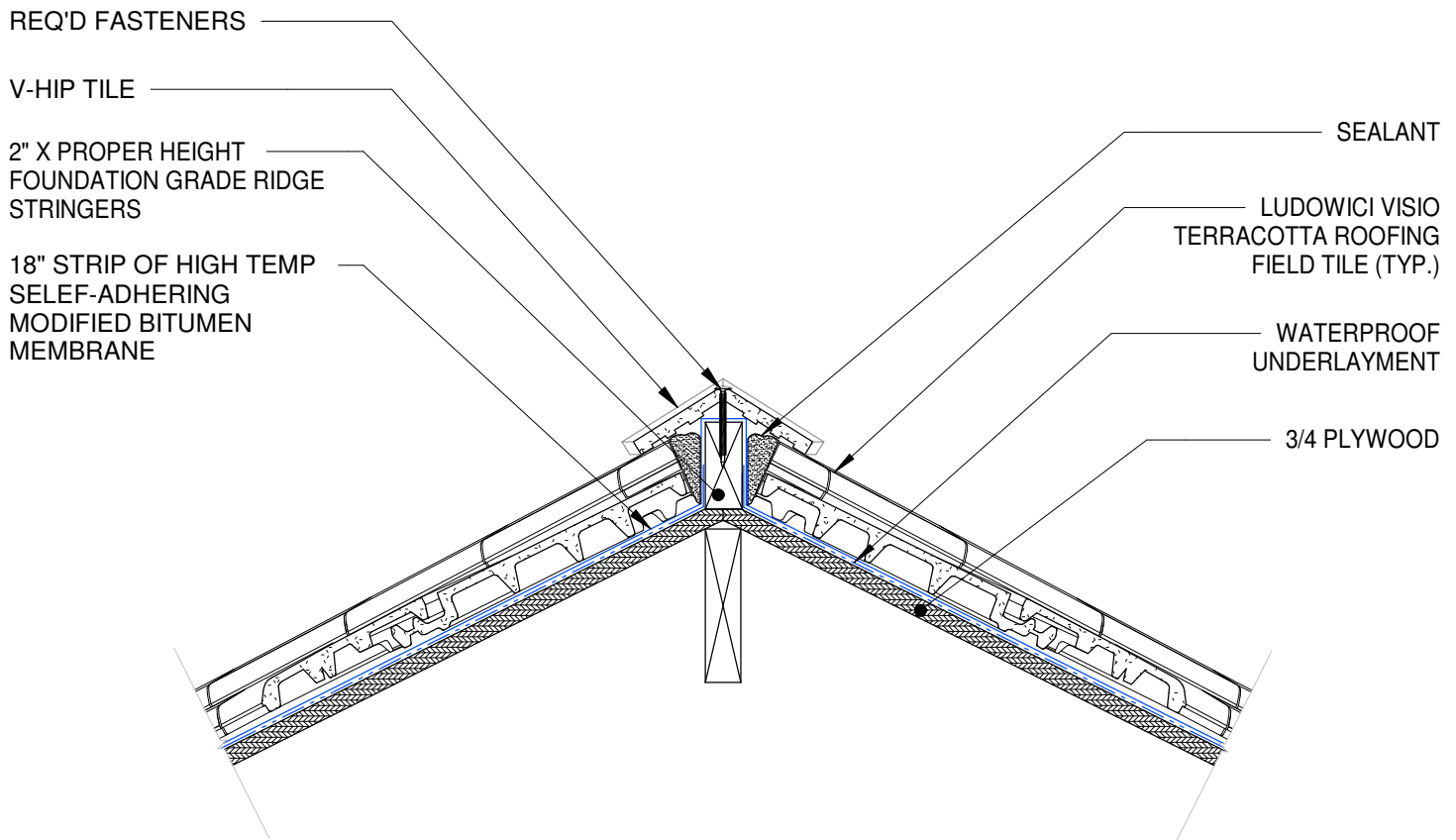
GENERAL NOTES:

1. THIS IS A PROTOTYPICAL DETAIL FOR REVIEW. MODIFICATIONS MAYBE REQUIRED TO MEET PROJECT SPECIFIC REQUIREMENTS.
2. WATERPROOF UNDERLAYMENT TURNED DOWN 1" OVER VERTICAL FASCIA
3. VISIO TILES ARE A PRODUCT OF AND MANUFACTURED BY CREATON.



4757 Tile Plant Road
New Lexington, Ohio 43764
Telephone: (800) 945-8453 Fax: (740) 342-0025
www.ludowici.com

SYSTEM:	VISIO TILE
DETAIL #:	VISIO-103
Description:	SECTION AT RAKE EDGE WITH DETACHED RAKE
Drawing Date:	2024.06.28
Scale:	1 1/2" = 1'-0"
Ludowici Reference #:	VISIO TILE VISIO-103.



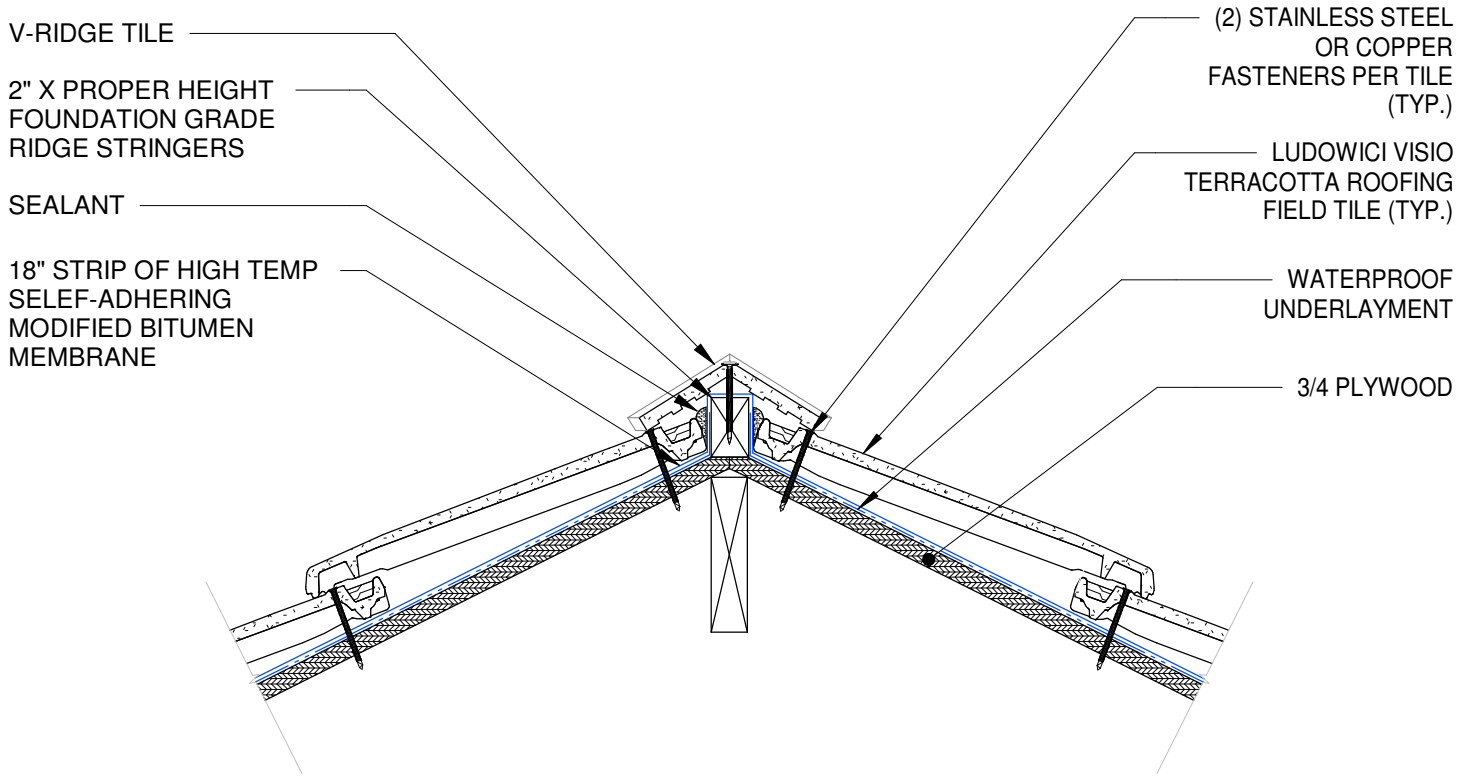
GENERAL NOTES:

1. THIS IS A PROTOTYPICAL DETAIL FOR REVIEW. MODIFICATIONS MAYBE REQUIRED TO MEET PROJECT SPECIFIC REQUIREMENTS.
2. MINIMUM 2-1/4" HEADLAP REUIRED.
3. A BEAD OF SEALANT SHOULD BE APPLIED BETWEEN THE LAP OF EACH HIP TILE.
4. VISIO TILES ARE A PRODUCT OF AND MANUFACTURED BY CREATON.



4757 Tile Plant Road
 New Lexington, Ohio 43764
 Telephone: (800) 945-8453 Fax: (740) 342-0025
 www.ludowici.com

SYSTEM:	VISIO TILE
DETAIL #:	VISIO-200
Description:	SECTION AT V-HIP
Drawing Date:	2024.06.28
Scale:	1 1/2" = 1'-0"
Ludowici Reference #:	VISIO TILE VISIO-200 .



GENERAL NOTES:

1. THIS IS A PROTOTYPICAL DETAIL FOR REVIEW. MODIFICATIONS MAYBE REQUIRED TO MEET PROJECT SPECIFIC REQUIREMENTS.
2. MINIMUM 2-1/4" HEADLAP REUIRED.
3. A BEAD OF SEALANT SHOULD BE APPLIED BETWEEN THE LAP OF EACH RIDGE TILE.
4. VISIO TILES ARE A PRODUCT OF AND MANUFACTURED BY CREATON.



4757 Tile Plant Road
 New Lexington, Ohio 43764
 Telephone: (800) 945-8453 Fax: (740) 342-0025
 www.ludowici.com

SYSTEM:	VISIO TILE
DETAIL #:	VISIO-300
Description:	SECTION AT V-RIDGE
Drawing Date:	2024.06.28
Scale:	1 1/2" = 1'-0"
Ludowici Reference #:	VISIO TILE VISIO-300 .

LUDOWICI VISIO
TERRACOTTA CLADDING
FIELD CUT VALLEY TILE

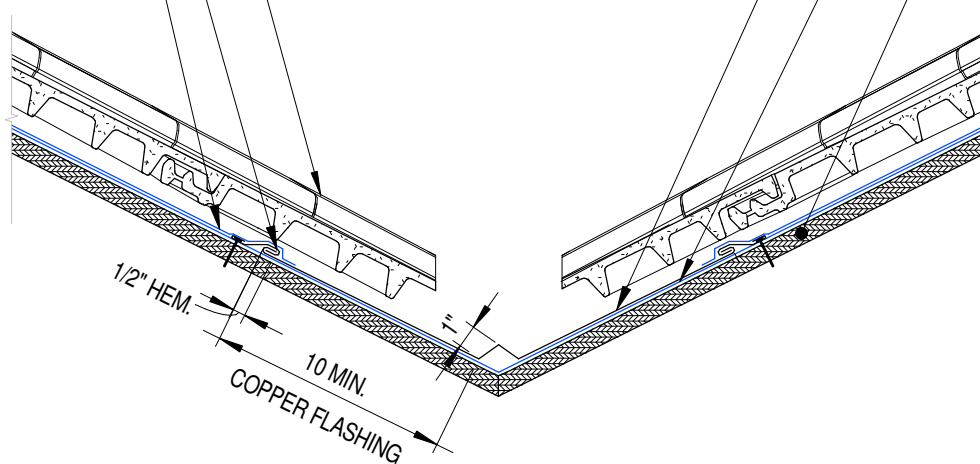
COPPER CLEAT 8"-24"
O.C. BEND OVER
FASTENER

6" STRIP OF HIGH TEMP
SELEF-ADHERING
MODIFIED BITUMEN
MEMBRANE

16 OZ. COPPER
VALLEY FLASHING

HIGH TEMP SELEF-
ADHERING MODIFIED
BITUMEN MEMBRANE

3/4 PLYWOOD



GENERAL NOTES:

1. THIS IS A PROTOTYPICAL DETAIL FOR REVIEW. MODIFICATIONS MAYBE REQUIRED TO MEET PROJECT SPECIFIC REQUIREMENTS.
2. DO NOT PENETRATE COPPER VALLEY FLASHING. ATTACH SMALL CUT VALLEY TILES WITH COPPER WIRE AND TIE OFF TO A FASTENER PLACED ABOVE COPPER VALLEY FLASHING.
3. CUT VALLEY TILE MUST PROVIDE A MINIMUM 4" OVERLAP OF COPPER VALLEY FLASHING.
4. EXPOSURE OF THE COPPER VALLEY FLASHING SHOULD INCREASE 1" PER 8' RUN TOWARDS THE EAVE.
5. VISIO TILES ARE A PRODUCT OF AND MANUFACTURED BY CREATON.


Trusted. Timeless. Terra Cotta.

4757 Tile Plant Road
New Lexington, Ohio 43764
Telephone: (800) 945-8453 Fax: (740) 342-0025
www.ludowici.com

SYSTEM:	VISIO TILE
DETAIL #:	VISIO-400
Description:	SECTION AT FIELD CUT VALLEY
Drawing Date:	2024.06.28
Scale:	1 1/2" = 1'-0"
Ludowici Reference #:	VISIO TILE VISIO-400 .

The information contained on this drawing is the property of Ludowici Roof Tile. Any use or reproduction in whole or in part without the express written permission of Ludowici Roof Tile is strictly prohibited. Ludowici Roof Tile, Inc. reserves the right to modify the configuration of item(s) shown without prior written notice.